

Model JCB-0CC

**Indoor Current Transformer, 600 V, 10 kV BIL, 50-6,000 A
Window Diameter 7.25" to 8.125"**

Application

Designed for indoor service. Suitable for operating meters, relays and control devices, on circuits not exceeding 600 V line-to-line. It may be used on higher voltage circuits with an insulated conductor; refer to the Applications Information section of catalog GEP-9186.



Weight

(approximate)

50:5 and 100:5 ratios

400:5 to 600:5 ratios

All others

60 lbs

25 lbs

20 lbs

Insulation Level

0.6 kV; BIL 10 kV full wave

Frequency

50-60 Hz

Reference Drawings

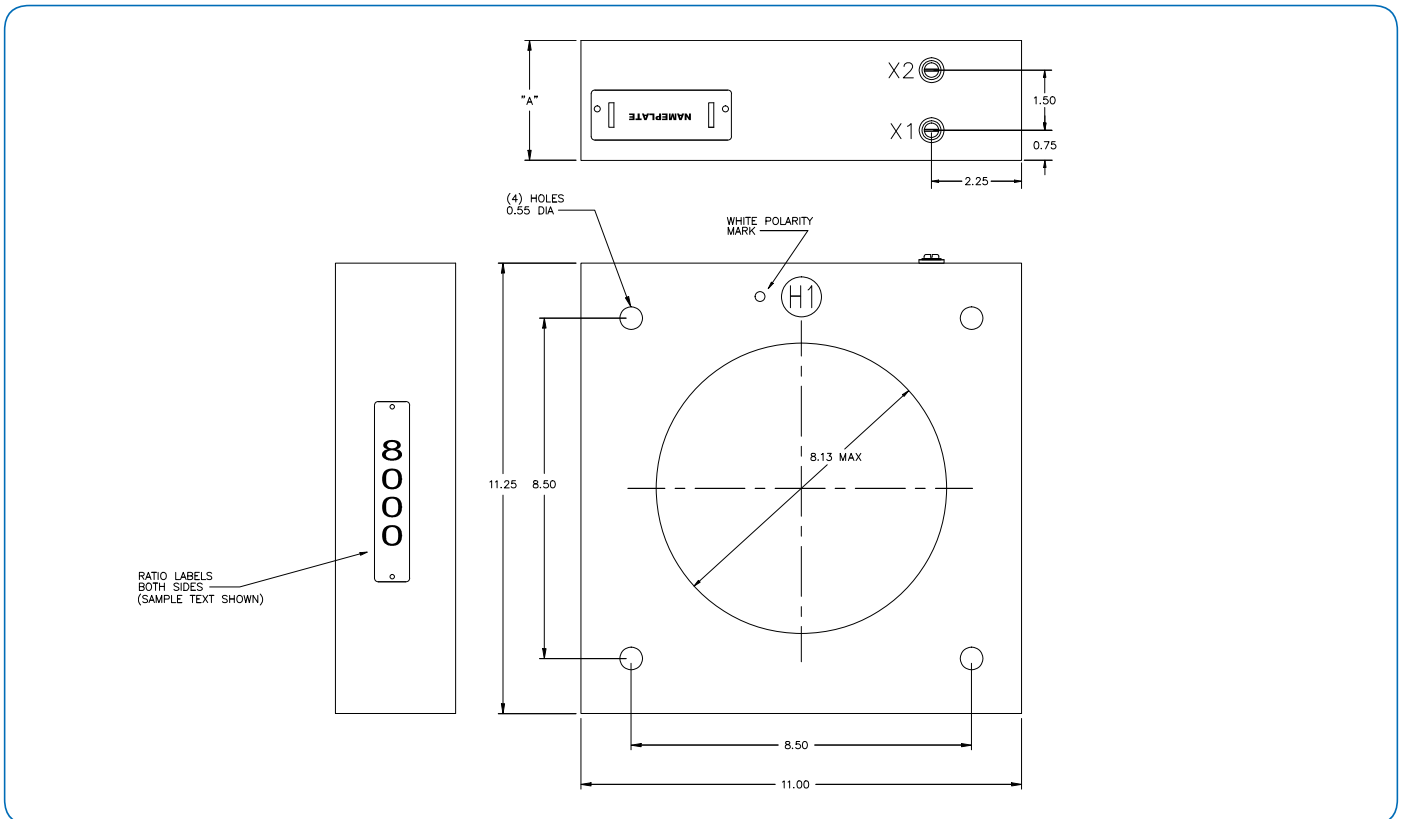
Outline 0121C33807

Model JCB-0CC Product Data

Current Ratio (Amps) Pri : Sec	ANSI Accuracy Class, 60 Hz		Continuous Thermal Current Rating Factor		Catalog Number
	Meter Class Burden	Relay Class	@ 30 °C Amb.	@ 55 °C Amb.	
Single Ratio					
50:5	2.4 thru B0.1	C10	1.5	1.0	750X211001
100:5	1.2 thru B0.2	C10	1.5	1.0	750X211002
400:5	0.6 thru B0.1	C10	1.5	1.0	750X211003
500:5	0.3 thru B0.1	C20	1.5	1.0	750X211004
600:5	0.3 thru B0.2	C20	1.5	1.0	750X211005
800:5	0.3 thru B0.2	C50	1.5	1.0	750X211006
1,000:5	0.3 thru B0.5	C50	1.5	1.0	750X211007
1,200:5	0.3 thru B0.5	C50	1.5	1.0	750X211008
1,500:5	0.3 thru B0.9	C100	1.5	1.0	750X211009
2,000:5	0.3 thru B1.8	C100	1.5	1.0	750X211010
2,500:5	0.3 thru B1.8	C100	1.5	1.0	750X211011
3,000:5	0.3 thru B1.8	C100	1.5	1.0	750X211012
4,000:5	0.3 thru B1.8	C100	1.5	1.0	750X211014
5,000:5	0.3 thru B1.8	C100	1.33	1.0	750X211015
6,000:5	0.3 thru B1.8	C100	1.0	0.75	750X211016
Multi-Ratio (IEEE C57.13)					
1,200:5MR	0.3 thru B0.5	C50	1.5	1.0	750X211021
2,000:5MR	0.3 thru B0.5	C100	1.5	1.0	750X211022
3,000:5MR	0.3 thru B0.5	C100	1.5	1.0	750X211023
4,000:5MR	0.3 thru B0.5	C100	1.5	1.0	750X211024



JCB-0CC Dimensions



Construction and Insulation

The core and coil are encapsulated in cast polyurethane resin. This material has excellent electrical and mechanical properties over a wide temperature range and is UV resistant.

Core and Coils

The core is made from high quality grain oriented silicon steel, annealed under rigidly controlled factory conditions. The secondary winding is made of heavy enameled copper wire. The secondary windings are evenly distributed around the core for maximum accuracy and resistance to stray fields from adjacent conductors.

Terminals

Secondary terminals are 10-32 brass inserts.

Polarity

Primary and secondary polarity marks are white dots.

Primary Conductor

A bus or insulated cable forms the primary winding.

Nameplates

The nameplate is laser engraved aluminum. It is attached to the top of the unit and has provision for attaching the user's identifying tag. The nominal current rating is marked on both faces of the unit in large numerals.

Baseplate and Mounting

The transformer can be mounted in any position. An optional mounting base is available by ordering part number 1321B34149.

Maintenance

These transformers require no maintenance, other than occasional cleaning, if installed where air contamination is severe.

Grid-AIS-L4-ITL_Model_JCB_OCC-1396-2017_07-EN. © Copyright 2017. General Electric Company and Instrument Transformers LLC reserve the right to change specifications of described products at any time without notice and without obligation to notify any person of such changes.

